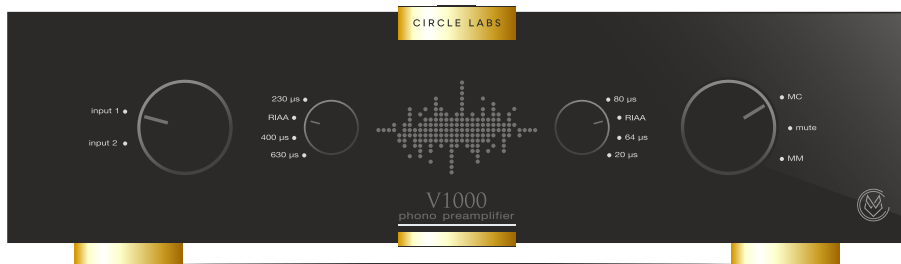




CIRCLE LABS

# Phono Preamplifier V1000



# USER MANUAL

[www.circlelabs.eu](http://www.circlelabs.eu)



CAUTION! RISK OF ELECTRIC SHOCK  
DO NOT OPEN  
NO USER SERVICEABLE PARTS INSIDE  
REFER SERVICING TO QUALIFIED SERVICE PERSONNEL



UWAGA! RYZYKO PORAŻENIA PRADEM ELEKTRYCZNYM  
NIE OTWIERAĆ OBUDOWY  
BRAK CZĘŚCI PODLEGAJĄCYCH NAPRAWIE PRZEZ UŻYTKOWNIKA  
W CELU NAPRAWY SKIEROWAĆ SIĘ DO WYKWALIFIKOWANEGO SERWISU



ATTENTION! RISQUE DE CHOC ÉLECTRIQUE  
NE PAS OUVRIR  
AUCUNE PIÈCE INTERNE N'EST RÉPARABLE PAR L'UTILISATEUR  
POUR LA MAINTENANCE, ADRESSEZ-VOUS A DU PERSONNEL QUALIFIÉ



ACHTUNG! GEFAHR EINES STROMSCHLAGS  
ÖFFNEN SIE NICHT DAS GEHÄUSE  
ES BEFINDEN SICH KEINE VOM ANWENDER ZU WARTENDEN TEILE IM GERÄT  
LASSEN SIE DAS GERÄT NUR VON QUALIFIZIERTEM FACHPERSONAL REPARIEREN



This product complies with the European Directives request  
and the other Commission Regulations.

Ten produkt jest zgodny z dyrektywami i regulacjami Unii Europejskiej.

Ce produit est conforme aux directives européennes  
et aux autres réglementations de la Commission européenne.

Dieses Produkt entspricht den geltenden EU-Richtlinien  
sowie den nationalen Gesetzen zur Umsetzung dieser Richtlinien.



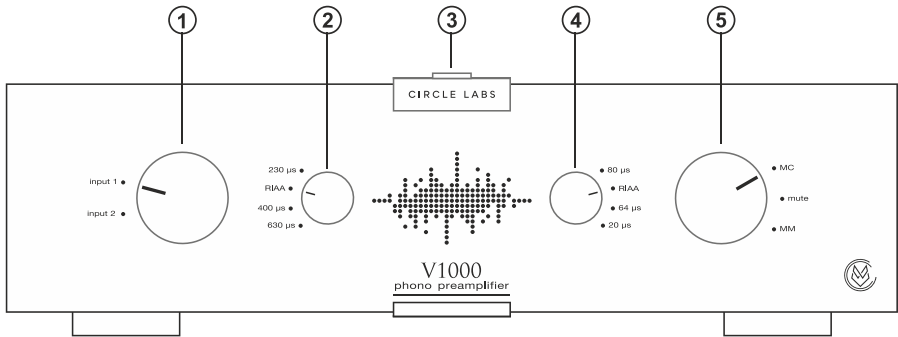
Use of WEEE symbol (crossed out waste bin symbol) means,  
that this product must not be treated as household waste.

Użycie symbolu WEEE (przekreślony symbol pojemnika na śmieci) oznacza,  
że niniejszy produkt nie może być traktowany jako odpad domowy.

Le symbole de poubelle sur roues barrée d'une croix indique  
que les équipements électriques et électroniques  
doivent être collectés et traités séparément des déchets ménagers.

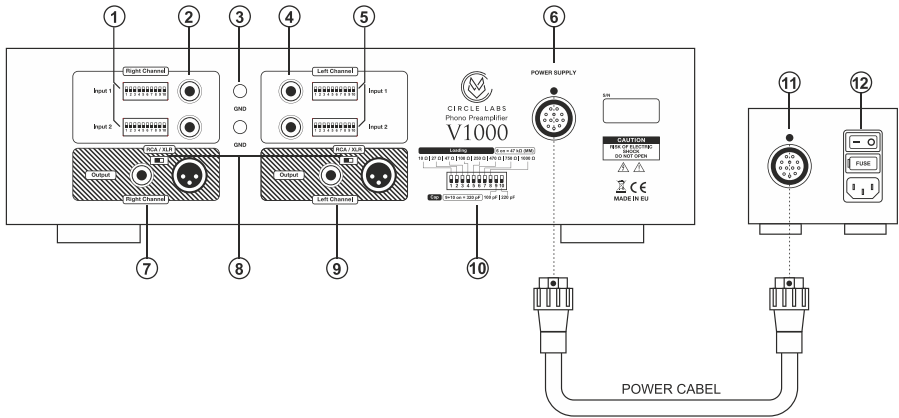
Produkte, die mit der durchgestrichenen Mülltonne gekennzeichnet sind,  
dürfen nicht mit dem Hausmüll entsorgt werden.

# rys. 1



1. Phono MC/MM input selection knob.
2. Mid tone time constant.
3. Standby switch.
4. High tone time constant.
5. Cartridge (MC/MM) selection knob & mute.

# rys. 2



- 1.Impedance and load capacity selector for the cartridge (Right Channel).
- 2.Phono input sockets (Right Channel).
- 3.Ground.
- 4.Phono input sockets (Left Channel).
- 5.Impedance and load capacity selector (Left Channel).
- 6.Power cable socket.
- 7.RCA / XLR output sockets (Left Channel).
- 8.RCA / XLR output switch.
- 9.RCA / XLR output sockets (Right Channel).
- 10.Impedance and load capacity description.
- 11.Power cable socket.
- 12.Power terminal (Power switch/safety socket 0,4A / IEC power socket).

**When attaching the power cable align the white dots on the cable and socket to be in the same position.**

# Introduction

Thank you for choosing a Circle Labs amplifier. We sincerely hope that it's going to provide you with many wonderful musical moments and fulfill all your expectations.

We ask you to read the User Manual carefully so that you may enjoy this device to its full extent.

## Unboxing and plugging in the preamplifier

Please make sure that the exterior of the package has sustained no damage during transport and if it has immediately report it to the vendor.

The package includes :

- the V1000 Preamplifier
- an external power supply
- a power cable
- a cover for the preamplifier

Place the preamplifier on a stable surface away from areas exposed to sunlight and humidity.

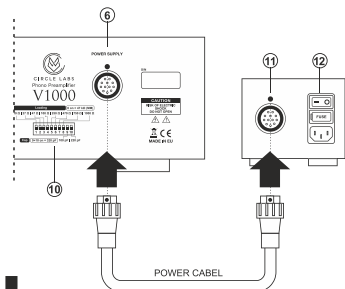
The preamplifier must be placed to guarantee good airflow. Do not cover the vents. Do not insert any items into the vents.

**Do not place any items or devices on the top lid of the preamplifier. If the preamplifier has been exposed to low temperatures for a prolonged period of time, after having taken it out of the packaging please wait until it reaches room temperature before use (do not start the preamplifier if the interior is humid).**

After having reached appropriate working temperature the V1000 preamplifier can be connected to an external power supply via the power cable.

White dots are present on both the plugs and the sockets to help you with proper alignment.

**” Beware, before connecting the preamplifier to the power supply, please make sure the power supply is not connected to electricity.**



Next connect the preamplifier to an amplifier.

The amplifier can be connected via RCA or XLR output sockets 7 & 9 (fig. 2) and selecting an appropriate operation mode (RCA or XLR) using the switches (8, fig. 2).

**Only use the switch when the device is OFF.**

Connect the turntable cable to sockets 2 & 4 (fig. 2) and ground (3, fig. 2).

**BEWARE !** During operation do not plug in or out any signal cables. Switch cables only when the device is OFF.

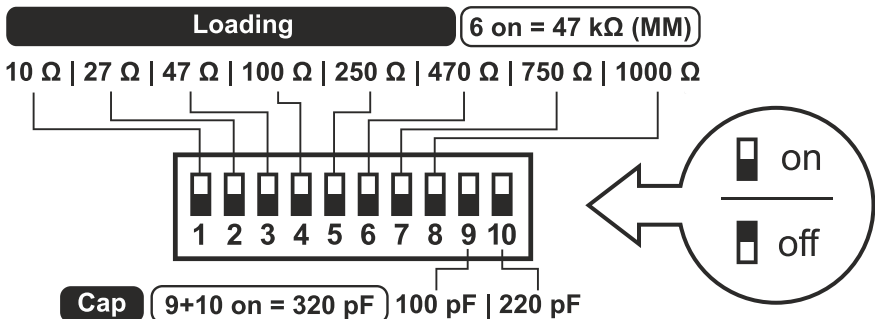
A new preamplifier and vacuum tubes require warmup time. This process takes place during use. The minimum warmup time takes around 200 hours.

## Selecting impedance and load capacity for an MC cartridge.

To choose the desired impedance and load capacity use switches 1 & 5 (fig. 2) located near the sockets. The settings are separate for inputs 1 & 2 (fig. 2).

By default the impedance is set to 100  $\Omega$  which is appropriate for most MC cartridge with a low signal level. It's best to use a setting recommended by the manufacturer of a given cartridge.

When using an MM cartridge we recommend setting the impedance to 47 k  $\Omega$  (8 on).



# Turning on the preamplifier

To turn on the preamplifier you use the main power switch (12, fig. 2). The main power switch can remain in the ON state for the entire use duration of the V1000. You can turn it off before a longer absence. Next turn on the preamplifier using the Power switch (3, fig. 1). This switch is used to turn the preamplifier on or off for everyday use. When you turn on the preamplifier it will go through a 30 second initial warmup indicated by blinking on the front display. Use the input selector (1, fig. 1) to choose a phono signal source. Switching input should be done in Mute mode (middle position on knob 5, fig. 1).

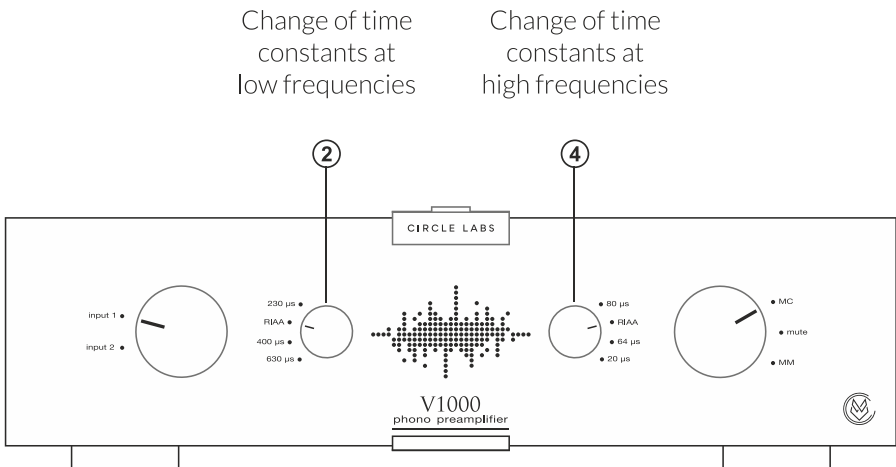
**The device being muted is indicated by the 'mute' text lighting up on the front panel next to the knob.**

We recommend using the Mute function when the disc is not being played or when the disc is being changed, etc.

Using knob 5 (fig. 1) select the appropriate cartridge mode. MC cartridge (0.3 – 0.6 mV) or MM (3 – 6 mV).

# Time constants

Time constants are used to adjust the frequency correction curve. They are the two smaller knobs on the front panel of the preamplifier. Use this for discs recorded before RIAA standardisation.



Example settings table.

RECORD LABEL	TURN-OVER	ROLL-OFF
HMV, EMI-ANGEL, WESTMINSTER, EPIC, & COLUMBIA	RIAA (317 $\mu$ S) early model 630 $\mu$ S	100 $\mu$ S sometimes RIAA (75 $\mu$ S)
DECCA LOISEAU-LYRE	RIAA (317 $\mu$ S) early model 230 $\mu$ S	50 $\mu$ S 50 $\mu$ S
ARGO, RCA (New Orthophonic), & BRUNSWICK (RIAA)	RIAA (317 $\mu$ S)	RIAA (75 $\mu$ S)
RCA (1949-51) RCA (1951-52)	230 $\mu$ S RIAA (317 $\mu$ S)	RIAA (75 $\mu$ S) RIAA (75 $\mu$ S)
TELEFUNKEN & (German) DECCA	400 $\mu$ S	25 $\mu$ S
PHILIPS	400 $\mu$ S	25 $\mu$ S
MERCURY	400 $\mu$ S	100 $\mu$ S
MELODIYA, DG & ETERNA	RIAA (317 $\mu$ S) sometimes 630 $\mu$ S	RIAA (75 $\mu$ S) sometimes 50 $\mu$ S or 100 $\mu$ S
NARTB	RIAA (317 $\mu$ S)	100 $\mu$ S
CAPITOL (1942)	400 $\mu$ S	50 $\mu$ S

To change time constant frequency correction curves use knobs 2 & 4 (fig. 1). Knob 2 is used to change low frequencies, and knob 4 is used to change high frequencies.

Standard RIAA time constants are present on knobs 2 & 4.

The time constants present are 25, 50, 75 (RIAA), 100 as well as 230, 317, 400, 630.

## Adjusting preamplifier gain

**We recommend that an authorised distributor or distributor service center perform gain adjustment.**

The preamplifier has a default gain of 65dB (MC), which is the recommended setting for MC cartridges with an output signal of 0.3 – 0.6 mV.

It is possible to up the gain to 70 dB for MC cartridges below 0.3 mV.

To adjust gain:

1. Unplug the device from power.
2. Remove the top lid (after having unplugged the 'power' cord)
3. Change the position of the jumper from position 65 dB to 70 dB.

## Safety and maintenance

Do not open the case! There are high voltages present inside the preamplifier which can pose a serious health or life risk.

Go to authorised service centers for repairs.

Do not spill any liquids onto the case of the preamplifier!

To clean the device only use a soft and dry cleaning cloth. Do not use alcohol or any other surface-active substances.

Clean only when the device is unplugged from power.

Only replace spent vacuum tubes for specific parameter pairs of vacuum tubes of the same type (**ecc88**). When replacing vacuum tubes we recommend replacing batteries located nearby.

Never replace a vacuum tube during operation.

During prolonged periods of disuse disconnect the device from power via the main power switch (12, fig. 2) or via unplugging the device from power altogether.

## Specifications

Gain: MC 65/70 dB, MM 45 dB

Inputs: 2x RCA

Cartridge load adjustment: 10-1000  $\Omega$  0-320 pF separate for each input.

Outputs: RCA, XLR balanced.

Frequency correction curve range: 230, 318 (RIAA), 400, 630  $\mu$ s – microsecond 100, 75 (RIAA), 50, 25  $\mu$ s – microsecond

Cable length: 1.2 m

Vacuum tubes: 4 x e88cc/6922

Shipping weight: 15 kg

Time-delay fuse: T400 mA 5 x 20mm

Dimensions (H x W x D):

Power supply 83 mm x 98 mm x 210 mm. Weight 2800 g.

Preamplifier 130 mm x 430 mm x 365 mm. Weight 9500 g.

## Warranty

Warranty conditions

- The guarantor ensures the good quality and efficient operation of the above-mentioned equipment when used for its intended purpose under the conditions specified by the manufacturer.
- The warranty covers defects in the device or spare parts resulting from material defects, faulty design, or assembly defects.
- The guarantor grants the user a warranty for the above-mentioned device for

a period of 2 years.

d. Defects considered under warranty will be repaired free of charge during the warranty period.

e. Repairs of the above-mentioned equipment are to be carried out at the guarantor's premises or at locations designated by the guarantor.

f. The choice of repair method is to be made by the Guarantor.

g. Consumables, i.e., batteries and vacuum tubes, are covered by a 6-month warranty.

h. The costs associated with reporting a fault, delivery of the device to a service center, insurance, and shipping is to be covered by the person making the complaint.

i. Under the warranty the guarantor is not liable for damage caused to people, destruction of third-party property, or loss of profits, etc.

1. The warranty is void in the event of:

- damage resulting from the user's use of the equipment in a manner inconsistent with the conditions of exposure specified by the manufacturer.

- mechanical damage.

- repairs carried out by the user on their own or at unauthorized facilities.

2. The guarantor's liability under the warranty for hidden defects in the goods is excluded in accordance with Article 558(1) of the Civil Code.



**CIRCLE LABS**

CIRCLE LABS  
Os. Złotej Jesieni 9/93  
31-826 Kraków, POLAND

[www.circlelabs.eu](http://www.circlelabs.eu)



Made in Poland