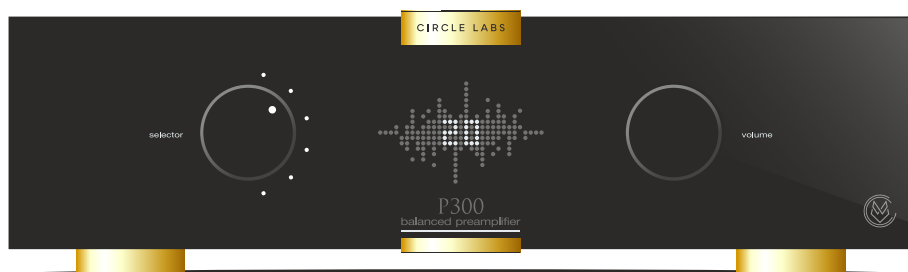




CIRCLE LABS

Line preamplifier P300



USER MANUAL

www.circlelabs.eu



CAUTION! RISK OF ELECTRIC SHOCK
DO NOT OPEN
NO USER SERVICEABLE PARTS INSIDE
REFER SERVICING TO QUALIFIED SERVICE PERSONNEL



UWAGA! RYZYKO PORAŻENIA PRADEM ELEKTRYCZNYM
NIE OTWIERAĆ OBUDOWY
BRAK CZĘŚCI PODLEGAJĄCYCH NAPRAWIE PRZEZ UŻYTKOWNIKA
W CELU NAPRAWY SKIEROWAĆ SIĘ DO WYKWALIFIKOWANEGO SERWISU



ATTENTION! RISQUE DE CHOC ÉLECTRIQUE
NE PAS OUVRIR
AUCUNE PIÈCE INTERNE N'EST RÉPARABLE PAR L'UTILISATEUR
POUR LA MAINTENANCE, ADRESSEZ-VOUS A DU PERSONNEL QUALIFIÉ



ACHTUNG! GEFAHR EINES STROMSCHLAGS
ÖFFNEN SIE NICHT DAS GEHÄUSE
ES BEFINDEN SICH KEINE VOM ANWENDER ZU WARTENDEN TEILE IM GERÄT
LASSEN SIE DAS GERÄT NUR VON QUALIFIZIERTEM FACHPERSONAL REPARIEREN



This product complies with the European Directives request
and the other Commission Regulations.

Ten produkt jest zgodny z dyrektywami i regulacjami Unii Europejskiej.

Ce produit est conforme aux directives européennes
et aux autres réglementations de la Commission européenne.

Dieses Produkt entspricht den geltenden EU-Richtlinien
sowie den nationalen Gesetzen zur Umsetzung dieser Richtlinien.



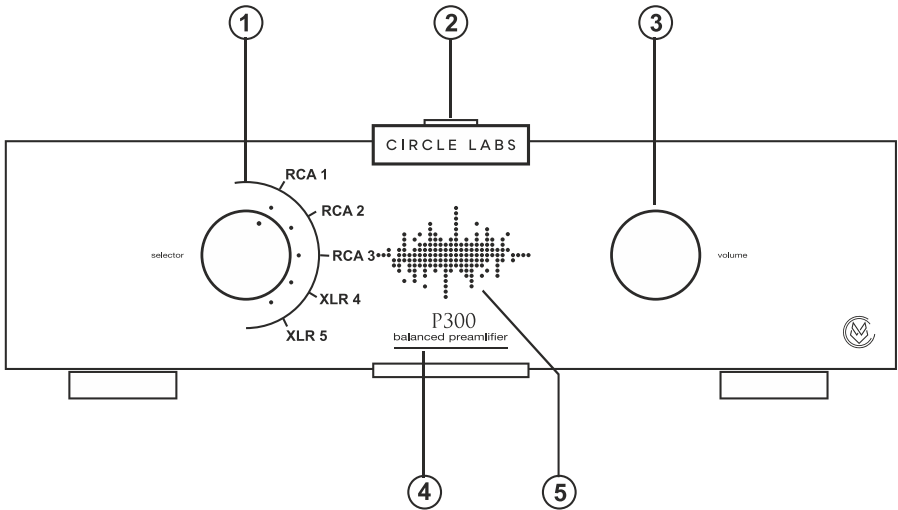
Use of WEEE symbol (crossed out waste bin symbol) means,
that this product must not be treated as household waste.

Użycie symbolu WEEE (przekreślony symbol pojemnika na śmieci) oznacza,
że niniejszy produkt nie może być traktowany jako odpad domowy.

Le symbole de poubelle sur roues barrée d'une croix indique
que les équipements électriques et électroniques
doivent être collectés et traités séparément des déchets ménagers.

Produkte, die mit der durchgestrichenen Mülltonne gekennzeichnet sind,
dürfen nicht mit dem Hausmüll entsorgt werden.

Fig. 1



1. Line source selector

2. Standby switch

3. Volume regulator

4. Operating lights

5. Volume display

6. Remote - volume up button

7. Remote - volume down button

8. Remote - mute

9. Remote - volume display light intensity controller

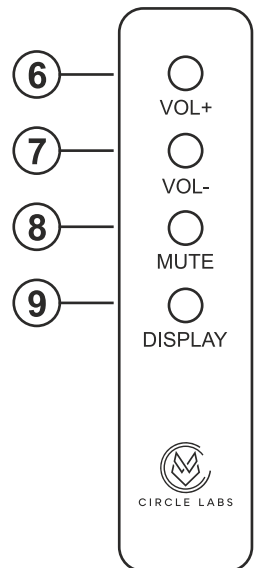
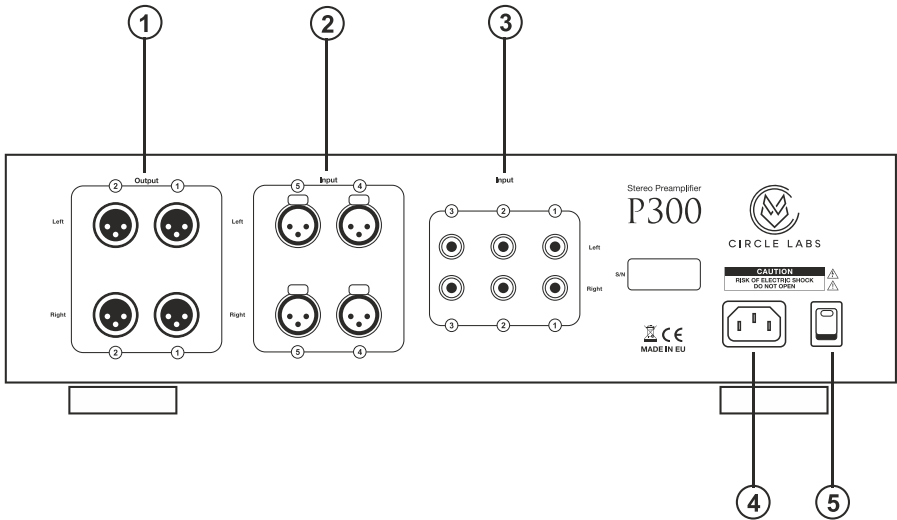


Fig. 2



1. Balanced XLR outputs (output impedance 15 Ω)
2. Balanced XLR inputs (input impedance 33 k Ω)
3. Unbalanced RCA inputs (input impedance 66 k Ω)
4. 230 V / 50 Hz power grid socket
5. Main current switch

Introduction

Thank you for choosing a Circle Labs preamplifier. We hope that it fulfills all of your expectations.

We strongly encourage reading the manual thoroughly to achieve full satisfaction with the bought product.

Unpacking and turning the device on

Please make sure the package was not damaged during transportation. If so, report the damages to the store.

Contents of the packaging:

- Circle Labs P300 preamplifier
- Remote control
- User manual
- Preamplifier cover
- Remote control cover

Place the preamplifier on a stable platform located away from sources of heat, intense sunlight, or moisture.

The preamplifier requires unobstructed ventilation. Do not cover or insert any items into the ventilation elements.

Do not place any items or devices atop the amplifier.

If the amplifier was kept in a spot with low temperatures, after unpacking, wait until it is at room temperature and make sure the device is completely dry before turning it on.

Connect inputs to RCA and XLR inputs (num.2,3 fig.2), the left channel to input L and the right channel to input R respectively.

Connect the preamplifier outputs to the power amplifier using XLR cables (fig.2, num.1).

Plug the preamplifier in. Activate the main switch on the back panel (num.5 fig.2). Use the POWER button to activate the device (num.2 fig.1).

Using the input selector knob (INPUT num.1 fig.1) select the input which was connected to the device (e.g. a CD player, a gramophone, a streamer, etc.).

Using the volume knob or a remote select the desired volume.

WARNING!

During use, do not connect any signal cables. Switching cables

can only be done when the device is turned off.

”

The new device and vacuum tube sets require burn-in. This process happens when playing music. Minimal burn-in time is 200 hours.

”

Safety and maintenance

Do not open the housing! The device uses high currents which are dangerous for health and safety!

For need of repair please contact an authorized service provider.

Do not pour liquids onto the housing of the amplifier!

For cleaning use only a soft and dry cleaning cloth. Do not use alcohol or any other surfactants.

Clean only when the device is disconnected from the power grid.

In case of long term disuse disconnect the device using the main power switch (num. 5 fig. 2). It is best to disconnect the device completely from the power grid.

Technical data

Linear inputs: 2 x XLR, 3 x RCA

Linear outputs: 2 x XLR

Input impedance: 33 k Ω RCA, 66 k Ω XLR

Output impedance: 15 Ω

Amplification: 8dB

Frequency response: 2Hz-500kHz (-3db)

Size (Width x Depth x Height): 430 x 357 x 127 mm

Weight (Netto): 10,6 kg

Warranty

Warranty conditions

- a. Guarantor provides the abovementioned device which works and is of good quality if used for its purpose and under conditions specified by the manufacturer.
- b. The warranty concerns malfunctions and errors in the materials, construction or manufacturing of the device.
- c. Guarantor provides the user with a warranty for 3 years for the abovementioned device.
- d. Malfunctions considered to be warranty will be removed free of charge by an authorized service within 14 days, beginning with the delivery of the device for repairs. This might be subject for prolongation in substantiated cases.
- e. Repairs of the abovementioned device take place in the headquarters of the guarantor or in places designated for such purpose.
- f. Choice in the way to repair the device belongs to the guarantor.
- g. Consumables are provided with a 6 month warranty.
- h. Cost of reporting the malfunction and shipping of the device, insurance and freight are covered by the person submitting the complaint.
- i. The guarantor does not take responsibility for damages, e.g. harm done to people, destruction of another's property or loss of revenue, etc.
 1. The warranty is lost if these are recorded:
 - the malfunction or damage is caused by the user acting in defiance of exposure conditions detailed by the manufacturer.
 - a mechanical malfunction occurs.
 - the user attempts repairs on their own or in unauthorized services.
 2. The guarantor's liability under the warranty for hidden defects of the goods is in accordance with Article 556 Act 1 of the Civil Code, excluded.
 3. In cases not covered by this charter, the Civil Code provisions are to be applied.



CIRCLE LABS

CIRCLE LABS
Os. Złotej Jesieni 9/93
31-826 Kraków, POLAND

www.circlelabs.eu



Made in Poland